



## MODEL SERIES 2TC SF<sub>6</sub> Gas Density Switch

- Temperature range -60°F to 180°F
- NEMA 4 or NEMA 1 housing
- Up to four SPDT contacts
- Intrinsic design
- *Optional integral gauge available\**



### GENERAL DESCRIPTION

- Designed to measure SF<sub>6</sub> gas density in all high-voltage circuit breaker applications
- Cast-aluminum housing
- Intrinsic design for enhanced temperature and density measurement accuracy
- Compact footprint for flexible mounting
- Low-maintenance
- Accommodates a wide temperature range
- Phosphor bronze bellows
- *Available with optional integral gauge, which features clear, visual indication of the gas density*

### SPECIFICATIONS

#### Switching

2, 3, or 4 S.P.D.T. snap acting switches

#### Electrical Connection

Screw terminal block (3mm / #6 ring terminal)

#### Switch Contact Ratings

2A; 125, 250 VAC

#### Setpoint Adjustment

Factory set per customer specifications

#### Temperature Range

-60°F to 180°F Ambient

#### Accuracy

± 1.5 PSI at 70°F

± 2 PSI at temperature extremes 180°F to -60°F

#### Deadband (Switch Differential)

Fixed; 1-6 PSI

#### Pressure Sensing Element

Phosphor Bronze Bellows - 100% leak inspected with Helium mass spectrometry to  $6 \times 10^{-8}$  cc/sec.

#### Pressure Adjustment Range

5-100 psi

Maximum pressure 150 psi

#### Pressure Port

$\frac{1}{4}$  NPTF and  $\frac{7}{16}$  -20 SAE are standard options, others can be incorporated upon request

#### Enclosure (Optional)

Diecast aluminum

#### Weight

Approximately 2 lb. (0.9 kg).

**SOLON MANUFACTURING COMPANY**

425 Center St. | Chardon, OH 44024

440.286.7149 | 800.323.9717 | Fax 440.286.9047

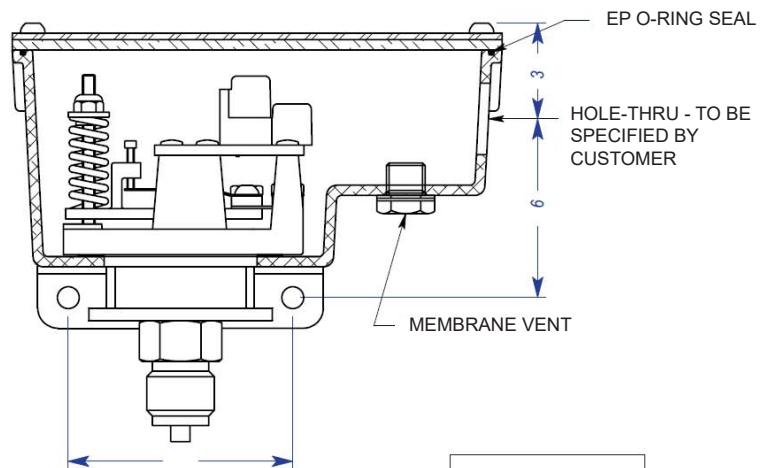
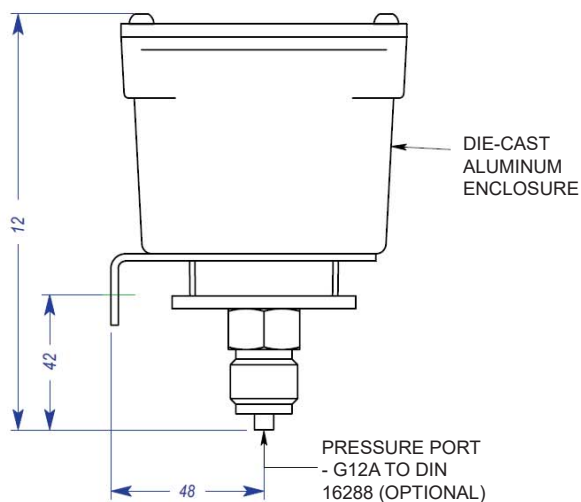
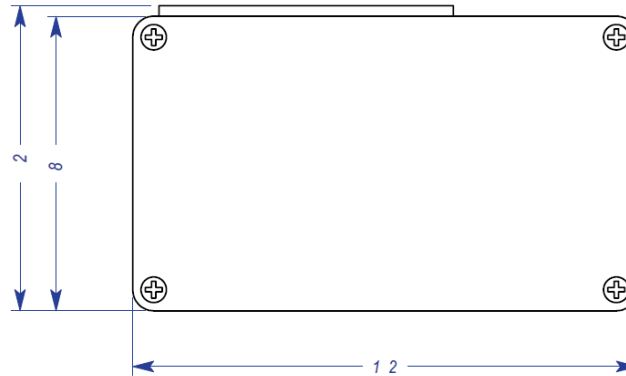
[solon@solonmfg.com](mailto:solon@solonmfg.com) | [www.solonmfg.com](http://www.solonmfg.com)

## SWITCH DIMENSIONS

## MODEL SERIES 2TC SF<sub>6</sub> Gas Density Switch

### WIRING SCHEMATIC

SWITCH 3 - SET AT XX ± X.X PSI DEC. AT 68F	NC NO C		NC NO C	SWITCH 4 - SET AT XX ± X.X PSI DEC. AT 68F
SWITCH 2 - SET AT XX ± X.X PSI DEC. AT 68F	NC NO C		NC NO C	SWITCH 1 - SET AT XX ± X.X PSI DEC. AT 68F



NOT TO SCALE  
DIMENSIONS IN  
INCHES

## SPECIFYING A SWITCH

1. Specify the set points for each switch. Set points should be given at room temperature (68F) and at either of the temperature extremes.
2. Designate the pressure port fitting.
3. Choose the type of electrical connection.
4. Indicate NEMA 4 or NEMA 1 housing.
5. Describe other requirements such as special testing, labeling, tagging, packaging, etc.
6. Once a switch is specified and an order is placed, Solon Mfg. Co. will assign a "slant number" (2TC/XXX) to the switch. This ensures that the fit, form, and function of the device will not change.

## INSTALLATION NOTES

- Orientation** - The 2TC will operate satisfactorily in any position.
- Wiring** - Factory pre-wiring available.
- Adjustment** - Factory setting to customer specifications is standard. Unit is not field adjustable.

