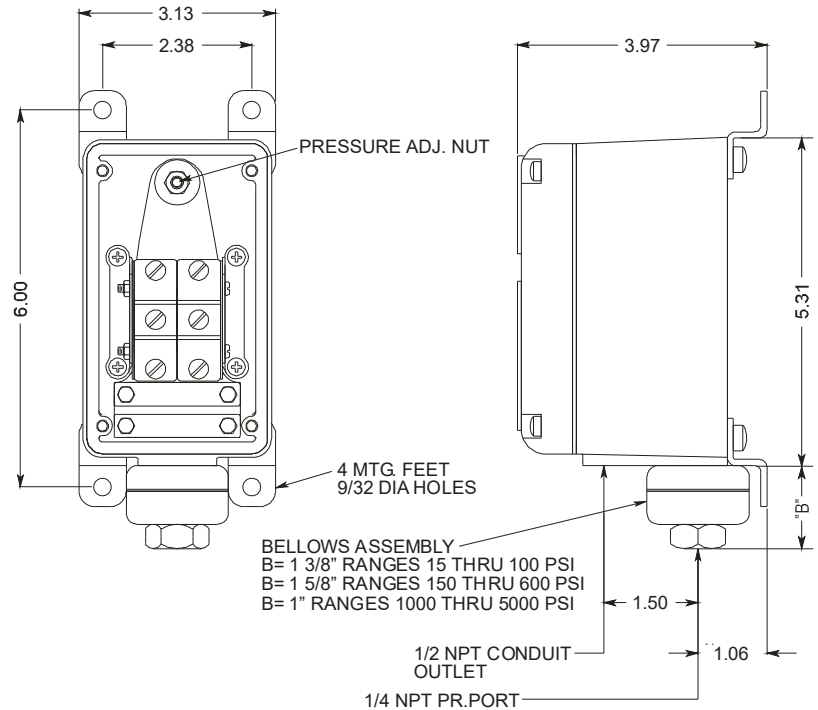




MODEL SERIES 5PSWB Weather-Tight Pressure Switch Bellows Sensing Element

- Ranges from 0-15 psi to 0-5000 psi
- NEMA 4X, 12 & 13 housing
- One or two SPDT contacts
- Adjustable deadband available



GENERAL DESCRIPTION

- Weather-tight cast-aluminum housing
- Frictionless switching mechanism, which amplifies the movement of the switching element, resulting in improved life, repeatability, and lower deadbands
- Available with one or two SPDT electric switches that are independently adjustable, which are available in a variety of configurations, including: adjustable deadband, DPDT, high/low operation, & manual reset
- Switch configurations can be supplied with low deadband, high direct current ratings, gold contacts, hermetically-sealed contacts
- S/S bellows

SPECIFICATIONS

PHYSICAL DATA (Standard)
-see page 2 for special features

Maximum Ambient Temperature: 180°F

Minimum Ambient Temperature: -40°F

Pressure Connection: 1/4 NPT

Electrical Connection: 1/2 NPT

Housing: Cast Aluminum

Deadband: Fixed

Sensitivity: 1/2% of range (for one SPDT)

Drift: <1% of range (100,000 operations)

Weight: Approx. 3 lbs.

Contact Ratings: 15A - 125, 250, 480 VAC

Port Material: Stainless Steel

Bellows Material: Stainless Steel

Set Point Adjustment: Screw type, field adjustable

No. Contacts: 1 or 2 S.P.D.T or 1 D.P.D.T.

Contact Listings: UL Recognized, CSA Listed

SOLON MANUFACTURING COMPANY

425 Center St. | Chardon, OH 44024

440.286.7149 | 800.323.9717 | Fax 440.286.9047

solon@solonmfg.com | www.solonmfg.com

ORDERING A SWITCH

MODEL SERIES 5PSWB Weather-Tight Pressure Switch Bellows Sensing Element

1. SPECIFY A MODEL NUMBER

5PSWB1BU2

MODEL SERIES _____

HOUSING' _____
W - WATERTIGHT - NEMA 4X, 12 & 13

NUMBER OF ELECTRIC SWITCHES _____
1 - ONE S.P.D.T.
11 - TWO TANDEM ELECTRIC SWITCHES OPERATE IN PARALLEL D.P.D.T.
2 - TWO S.P.D.T. INDEPENDENT ADJUSTMENT

SENSING ELEMENT _____
B - BELLOWS ACTUATED

SPECIAL FEATURES _____
"." - NO SPECIAL FEATURES
A - ADJUSTABLE DEADBAND (ADJ. 25% - 50% OF RANGE)
E - EXTERNAL PRESSURE ADJUSTMENT
EE - TWO EXTERNAL PRESSURE ADJUSTMENTS
L - ONE INDICATOR LIGHT
LL - TWO INDICATOR LIGHTS
M - MALE PIPE MOUNTING 1/2 NPT
R> - MANUAL RESET, SWITCH ON INCR. PR.
R< - MANUAL RESET, SWITCH ON DECR. PR.
V - HIGH TEMPERATURE SERVICE

TYPE OF ELECTRIC SWITCHES
1 - LOW DEADBAND
 15A - 125, 250, 480 VAC
2 - STANDARD DEADBAND
 15A - 125, 250, 480 VAC; 0.5A - 125 VDC
3 - HIGH DC RATED (MAGNETIC BLOWOUT)
 10A - 125 VDC; 3A - 250 VDC
4 - HERMETICALLY SEALED 11 AMP, 125, 250 VAC; 5A-30 VDC
6 - GOLD CONTACT -
 1 A - 125 VAC

* SPECIAL FEATURES SUCH AS STAINLESS TAGGING, APPLICATION OF DIAPHRAGM SEALS, ETC. ARE AVAILABLE ON REQUEST. CONSULT FACTORY FOR CAPABILITIES AND PRICING FOR ANY FEATURES NOT SHOWN.

2. SPECIFY A RANGE

ADJUSTABLE PRESSURE RANGE	TYPICAL DEADBAND* PSI		MAX. WORKING PRESSURE
	TYPE "1"	TYPE "2"	
0-15 PSI	.7	1.5	300 PSI
0-30 PSI	.8	1.7	300 PSI
0-60 PSI	.9	1.9	300 PSI
0-100 PSI	1.1	2.2	300 PSI
0-150 PSI	4.0	8.5	1500 PSI
0-200 PSI	4.0	8.8	1500 PSI
0-300 PSI	5.0	9.5	1500 PSI
0-600 PSI	6.0	12.0	1500 PSI
0-1000 PSI	15.0	30.0	3000 PSI
0-2000 PSI	17.0	35.0	3000 PSI
0-3000 PSI	40.0	82.0	7000 PSI
0-5000 PSI	48.0	96.0	7000 PSI

*MAXIMUM DEADBANDS MAY BE 50% GREATER

INSTALLATION NOTES

Orientation - The 5PSB will operate satisfactorily in any position, however, mounting the device vertically will allow the easiest adjustability and reduce sediment in the pressure chamber.

Wiring - Switches may be wired to 'normally open' or 'normally closed' terminals on electric switch(es).

Pressure Connection - 1/4 NPT female is standard. 1/2 NPT male is available ("M" option).

Adjustment - Turn pressure adjustment nut(s) clockwise to increase setpoint. Detailed installation & calibration instructions are provided for every shipment. Factory setting is available at no charge.

DEADBAND NOTES

The deadbands listed in the tables are the typical switch differentials when the Type "1" or Type "2" electric switch are used.

Deadband is affected by the type of electric switch used. Each type of electric switch's effect on deadband is as follows:

Type "1" - *Low Deadband* - Use table values.

Type "2" - *Std. Deadband* - Use table values.

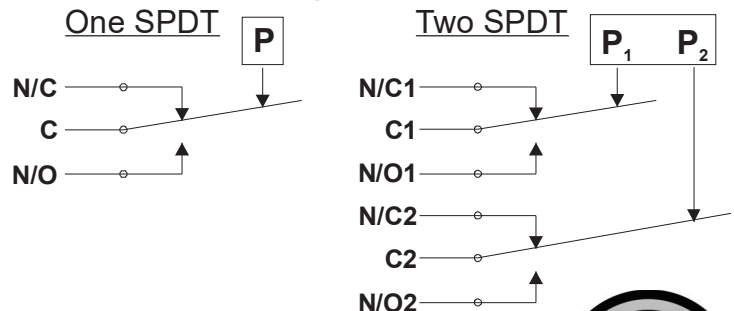
Type "3" - *High DC Rated* - Multiply TYPE 2 table values by two.

Type "4" - *Hermetically Sealed Switch* - Use TYPE 2 table value UL-recognized component, guide WSQ2, File E85076. All stainless steel construction.

Type "6" - *Gold Contact* - Use TYPE 2 table values.

For one D.P.D.T or two S.P.D.T. switches multiply calculated value from above by 1.5 to 2.

Wiring Schematic



REV. 3/16/21

