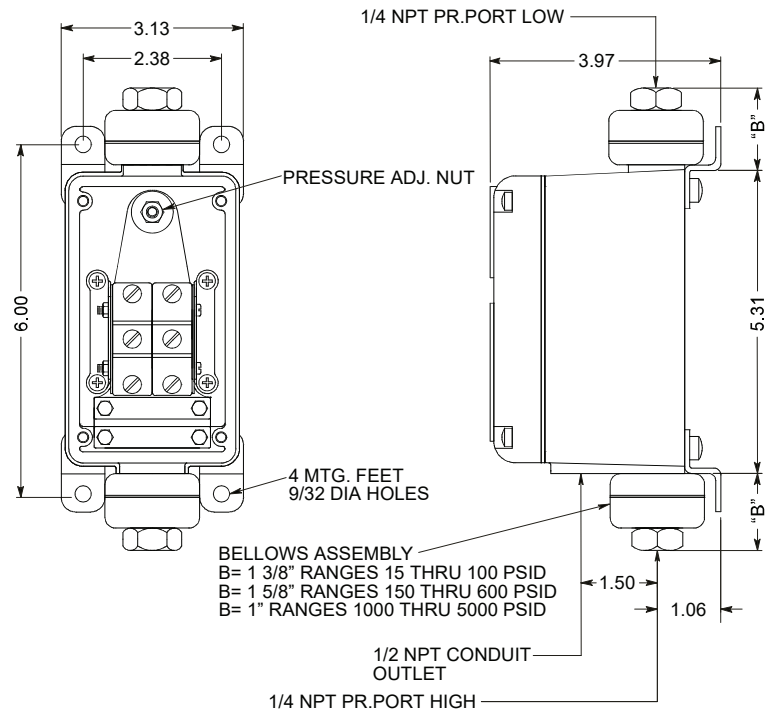




MODEL SERIES 5PSBD Differential Pressure Switch Bellows Sensing Element

- Ranges from 0-15 psid to 0-5000 psid
- NEMA 4X, 12, & 13 housing
- One or two SPDT contacts
- Adjustable deadband available



GENERAL DESCRIPTION

- Cast-aluminum housing available in explosion-proof or weather-tight options
- Frictionless switching mechanism, which amplifies the movement of the switching element, resulting in improved life, repeatability, and lower deadbands
- Available with one or two SPDT electric switches that are independently adjustable, which are available in a variety of configurations, including: adjustable deadband, DPDT, high/low operation & manual reset
- Switch configurations can be supplied with low deadband, high direct current ratings, gold contacts, hermetically-sealed contacts
- S/S bellows

SPECIFICATIONS

PHYSICAL DATA (Standard)
-see page 2 for special features

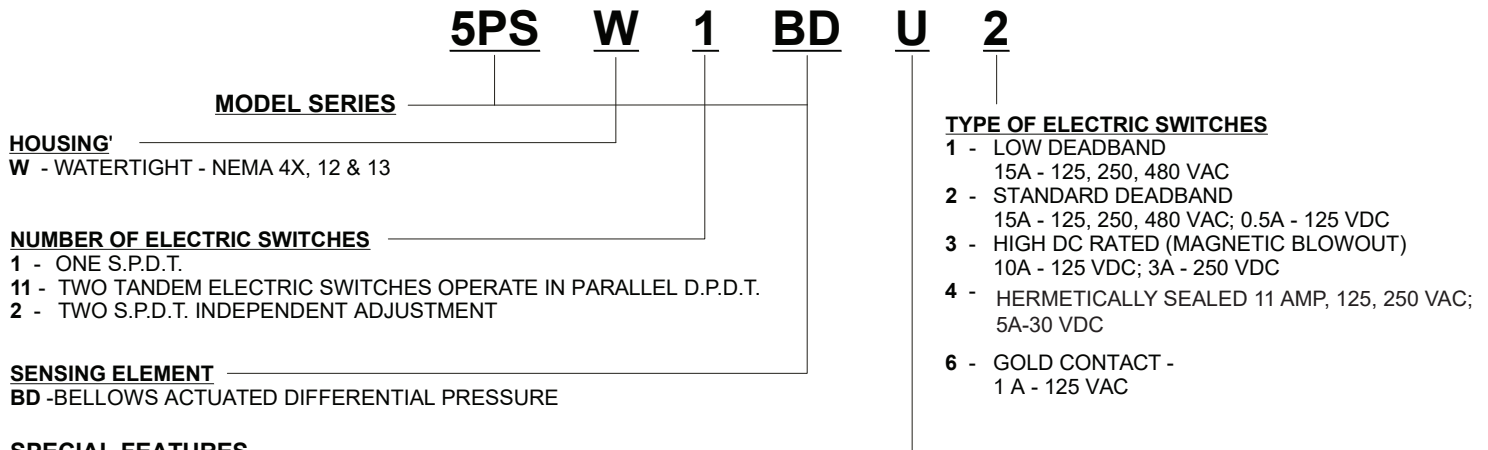
Maximum Ambient Temperature: 180°F
Minimum Ambient Temperature: -40°F
Pressure Connection: 1/4 NPT
Electrical Connection: 1/2 NPT
Housing: Cast Aluminum
Deadband: Fixed
Sensitivity: 1/2% of range (for one SPDT switch)
Drift: <1% of range (100,000 operations)
Weight: Approx. 3 lbs.
Contact Ratings: 15A - 125, 250, 480 VAC
Port Material: Stainless Steel
Bellows Material: Stainless Steel
Set Point Adjustment: Screw type, field adjustable
No. Contacts: 1 or 2 S.P.D.T or 1 D.P.D.T.
Contact Listings: UL Recognized, CSA Certified

SOLON MANUFACTURING COMPANY
 425 Center St. | Chardon, OH 44024
 440.286.7149 | 800.323.9717 | Fax 440.286.9047
 solon@solonmfg.com | www.solonmfg.com

ORDERING A SWITCH

MODEL SERIES 5PSBD Differential Pressure Switch Bellows Sensing Element

1. SPECIFY A MODEL NUMBER



SPECIAL FEATURES

- NO SPECIAL FEATURES
- A - ADJUSTABLE DEADBAND (ADJ. 25% - 50% OF RANGE)
- E - EXTERNAL PRESSURE ADJUSTMENT
- EE - TWO EXTERNAL PRESSURE ADJUSTMENTS
- L - ONE INDICATOR LIGHT
- LL - TWO INDICATOR LIGHTS
- M - MALE PIPE MOUNTING 1/2 NPT
- R> - MANUAL RESET, SWITCH ON INCR. PR.
- R< - MANUAL RESET, SWITCH ON DECR. PR.
- V - HIGH TEMPERATURE SERVICE

* SPECIAL FEATURES SUCH AS STAINLESS TAGGING, APPLICATION OF DIAPHRAGM SEALS, ETC. ARE AVAILABLE ON REQUEST. CONSULT FACTORY FOR CAPABILITIES AND PRICING FOR ANY FEATURES NOT SHOWN.

2. SPECIFY A RANGE

ADJUSTABLE PRESSURE RANGE	TYPICAL DEADBAND* PSI		MAX. WORKING PRESSURE
	TYPE "1"	TYPE "2"	
0-15 PSID	.7	1.3	300 PSI
0-30 PSID	.7	1.4	300 PSI
0-60 PSID	.8	1.6	300 PSI
0-100 PSID	1.0	1.9	300 PSI
0-150 PSID	4.0	7.3	1500 PSI
0-200 PSID	4.0	7.6	1500 PSI
0-300 PSID	4.0	8.2	1500 PSI
0-600 PSID	5.0	10.0	1500 PSI
0-1000 PSID	12.0	25.0	3000 PSI
0-2000 PSID	15.0	30.0	3000 PSI
0-3000 PSID	37.0	75.0	7000 PSI
0-5000 PSID	45.0	90.0	7000 PSI

* MAXIMUM DEADSBANDS MAY BE 50% GREATER

INSTALLATION NOTES

Orientation - The 5PSBD will operate satisfactorily in any position, however, mounting the device vertically will allow the easiest adjustability.

Wiring - Switches may be wired to 'normally open' or 'normally closed' terminals on electric switch(es).

Pressure Connection - 1/4 NPT female is standard. 1/2 NPT male is available ("M" option).

Adjustment - Turn pressure adjustment nut(s) clockwise to increase setpoint. Detailed installation & calibration instructions are provided for every shipment. Factory setting is available at no charge.

DEADBAND NOTES

The deadbands listed in the tables are the typical switch differentials when the Type "1" or Type "2" electric switch are used.

Deadband is affected by the type of electric switch used. Each type of electric switch's effect on deadband is as follows:

Type "1" - Low Deadband - Use table values.

Type "2" - Std. Deadband - Use table values.

Type "3" - High DC Rated - Multiply TYPE 2 table values by two.

Type "4" - Hermetically Sealed Switch - Use TYPE 2 table value UL-recognized component, guide WSQ2, File E85076. All stainless steel construction.

Type "6" - Gold Contact - Use TYPE 2 table values.

For one D.P.D.T. or two S.P.D.T. switches multiply calculated value from above by 1.5 to 2.

Wiring Schematic

