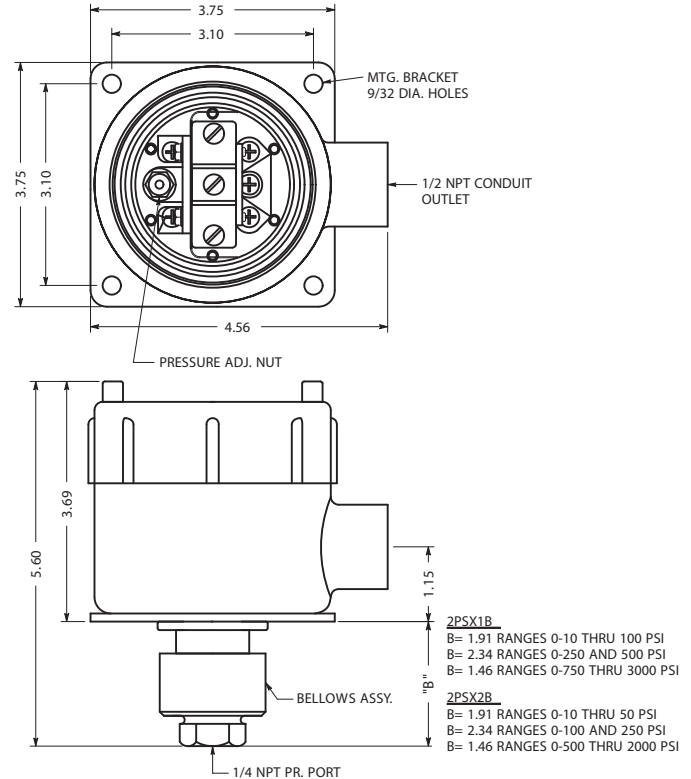




MODEL SERIES 2PSXB Pressure Switch Bellows Sensing Element

- Ranges from 10 - 3000 psi
- NEMA 7 CLASS I, Gr. C & D
- NEMA 9 CLASS II, Gr. E, F, & G
- One or two SPDT contacts
- Stainless steel sensing element



GENERAL DESCRIPTION

- Frictionless switching mechanism, which amplifies the movement of the switching element, resulting in improved life, repeatability, and lower deadbands
- Available with one or two SPDT electric switches that are independently adjustable
- Removable enclosure cover for easy wiring and adjustment of the vacuum setting. Features S/S screws that retain the cover gasket when the enclosure cover is removed.
- Modular design or pressure-sensing elements accommodates a variety of applications
- S/S bellows

SPECIFICATIONS

PHYSICAL DATA (Standard)

-see page 2 for special features

- Maximum Ambient Temperature: 180°F
- Minimum Ambient Temperature: -40°F
- Pressure Connection: 1/4 NPT
- Electrical Connection: 1/2 NPT
- Housing: Diecast Aluminum
- Deadband: Fixed
- Sensitivity: 1/2% of range (for SPDT)
- Drift: <1% of range (100,000 operations)
- Weight: Approx. 2 lbs.
- Contact Ratings: 15A - 125, 250, 480 VAC
- Port Material: Stainless Steel
- Bellows Material: Stainless Steel
- Set Point Adjustment: Screw type, field adjustable
- No. Contacts: One or Two S.P.D.T.
- Contact Listings: UL Recognized, CSA Certified

MODEL SERIES 2PSXB Pressure Switch Bellows Sensing Element

ORDERING A SWITCH

1. SPECIFY A MODEL NUMBER

2PSX 1 B M 2

MODEL SERIES ————

NUMBER OF ELECTRIC SWITCHES ————

1 - ONE S.P.D.T.
2 - TWO S.P.D.T. - (SWITCH TYPE "5" ONLY)

SENSING ELEMENT ————

B - BELLOWS SENSING ELEMENT (STANDARD)

SPECIAL FEATURES ————

M - 1/2 NPT MALE PIPE MOUNTING
V - HIGH TEMPERATURE SERVICE - INCREASED FROM 180°F TO 250°F AMBIENT

TYPE OF ELECTRIC SWITCHES

- 1 - LOW DEADBAND
15A - 125, 250, 480 VAC
- 2 - STANDARD DEADBAND
15A - 125, 250, 480 VAC; 0.5A - 125 VDC
- 3 - HIGH DC RATED (MAGNETIC BLOWOUT)
10A - 125 VDC; 3A - 250 VDC
- 4 - HERMETICALLY SEALED 11 AMP, 125, 250 VAC; 5A-30 VDC
- 5 - SUB MINIATURE SWITCH - 2 S.P.D.T.
5A - 125, 250 VAC; 0.5A - 125 VDC
- 6 - GOLD CONTACT -
1 A - 125 VAC

2. SPECIFY A RANGE

ADJUSTABLE PRESSURE RANGE	TYPICAL DEADBAND*		MAXIMUM PRESSURE	
	TYPE "2"	TYPE "5"	TYPE "2"	TYPE "5"
0-10 PSI	.80 PSI	1.5 PSI	300 PSI	300 PSI
0-20 PSI	.90 PSI	2.3 PSI	300 PSI	300 PSI
0-50 PSI	1.0 PSI	5.2 PSI	300 PSI	300 PSI
0-100 PSI	1.5 PSI	13 PSI	300 PSI	1500 PSI
0-250 PSI	6 PSI	27 PSI	1500 PSI	1500 PSI
0-500 PSI	8 PSI	58 PSI	1500 PSI	2500 PSI
0-750 PSI	16 PSI	77 PSI	2500 PSI	2500 PSI
0-1000 PSI	19 PSI	183 PSI	2500 PSI	5000 PSI
0-2000 PSI	60 PSI	240 PSI	5000 PSI	5000 PSI
0-3000 PSI	66 PSI	N/A	5000 PSI	N/A

* MAXIMUM DEADBANDS BY BE 50% GREATER

DEADBAND NOTES

The deadbands listed in the tables are the typical switch differentials when the standard (Type "2" or Type "5") electric switch is used.

Deadband is affected by the type of electric switch used. Each type of electric switch's effect on deadband is as follows:

Type "1" - Low Deadband - Use ½ TYPE 2 table values.

Type "2" - Std. Deadband - Use TYPE 2 table values.

Type "3" - High DC Rated - Multiply TYPE 2 table values by two.

Type "4" - *Hermetically Sealed Switch* - Use TYPE 2 table value UL-recognized component, guide WSQ2, File E85076. All stainless steel construction.

Type "5" - Sub Miniature - 2 S.P.D.T. - Use TYPE 5 table values.

Type "6" - Gold Contact - Use TYPE 2 table values.

INSTALLATION NOTES

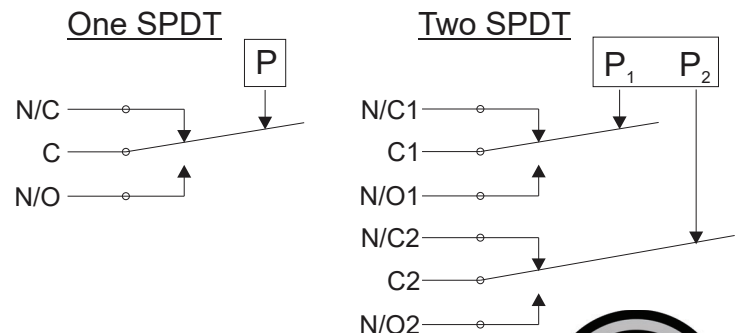
Orientation - The 2PSB will operate satisfactorily in any position, however, mounting the device vertically will allow the easiest adjustability and reduce sediment in the pressure chamber.

Wiring - Switches may be wired to 'normally open' or 'normally closed' terminals on electric switch(es). Single switch units have screw terminals while dual switch versions use a screw terminal block.

Pressure Connection - 1/4 NPT female is standard. 1/2 NPT male is available ("M" option).

Adjustment - Turn pressure adjustment nut(s) clockwise to increase setpoint. Detailed installation & calibration instructions are provided for every shipment. Factory setting is available at no charge.

Wiring Schematic



REV. 3/16/21

