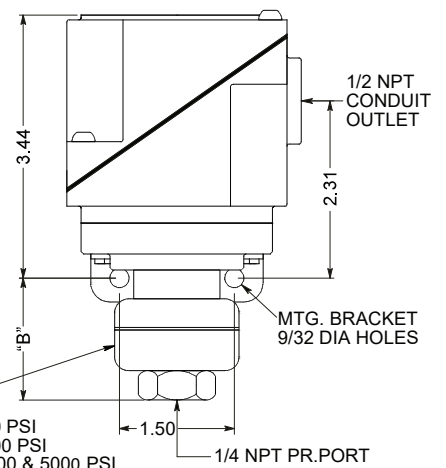
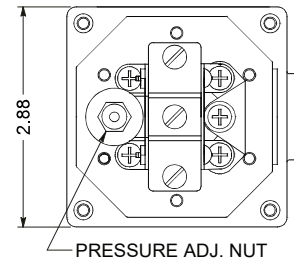




MODEL SERIES 2PSWB Weather-Tight Pressure Switch Bellows Sensing Element

- Ranges from 10-3000 psi
- NEMA 4X, 12 & 13 housing
- One or two SPDT contacts
- Stainless steel sensing element



BELLOWS ASSEMBLY
 B= 1 5/8" MAX. PRESSURE 300 PSI
 B= 1 7/8" MAX. PRESSURE 1500 PSI
 B= 1 9/16" MAX PRESSURE 2500 & 5000 PSI

GENERAL DESCRIPTION

- Weather-tight cast-aluminum housing
- Frictionless switching mechanism, which amplifies the movement of the switching element, resulting in improved life, repeatability, and lower deadbands
- Available with one or two SPDT electric switches that are independently adjustable
- Removable enclosure cover for easy wiring and adjustment of the vacuum setting. Features s/s screws that retain the cover gasket when the enclosure is removed
- S/S bellows

SPECIFICATIONS

PHYSICAL DATA (Standard)
 -see page 2 for special features

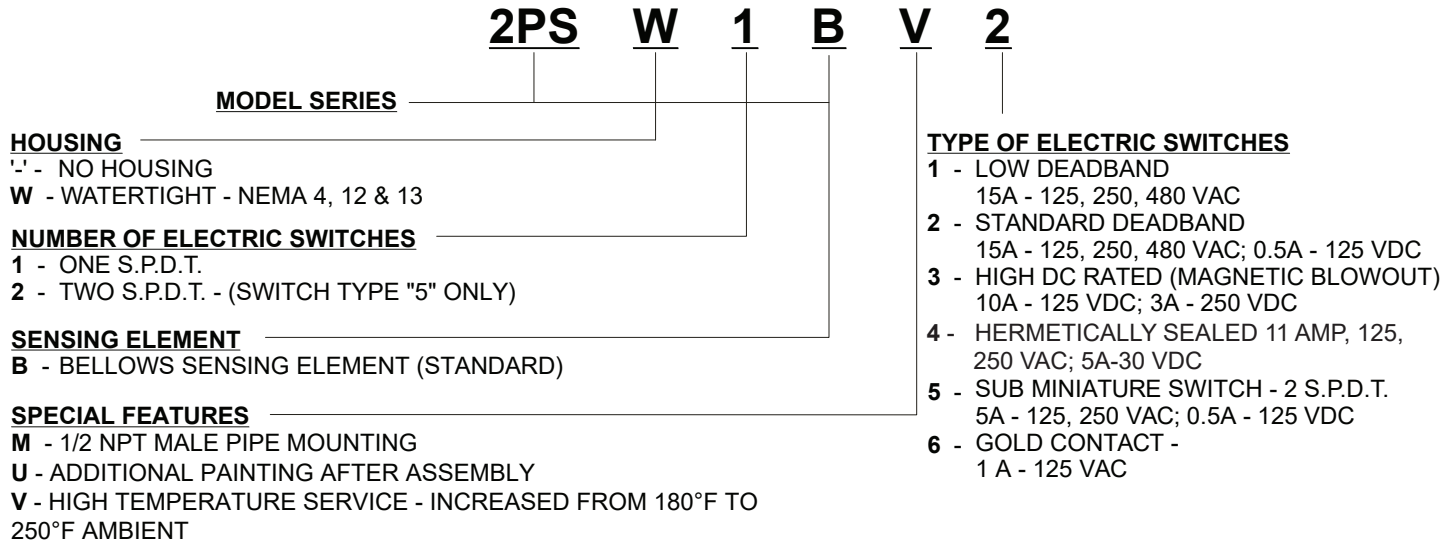
Maximum Ambient Temperature: 180°F
Minimum Ambient Temperature: -40°F
Pressure Connection: 1/4 NPT
Electrical Connection: 1/2 NPT
Housing: Diecast Aluminum
Deadband: Fixed
Sensitivity: 1/2% of range (for SPDT)
Drift: <1% of range (100,000 operations)
Weight: Approx. 1.8 lbs.
Contact Ratings: 15A - 125, 250, 480 VAC
Port Material: Stainless Steel
Bellows Material: Stainless Steel
Set Point Adjustment: Screw type, field adjustable
No. Contacts: One or Two S.P.D.T.
Contact Listings: UL Recognized

SOLON MANUFACTURING COMPANY
 425 Center St. | Chardon, OH 44024
 440.286.7149 | 800.323.9717 | Fax 440.286.9047
 solon@solonmfg.com | www.solonmfg.com

ORDERING A SWITCH

MODEL SERIES 2PSWB Weather-Tight Pressure Switch Bellows Sensing Element

1. SPECIFY A MODEL NUMBER



2. SPECIFY A RANGE

ADJUSTABLE PRESSURE RANGE	TYPICAL DEADBAND		MAXIMUM PRESSURE	
	TYPE "2"	TYPE "5"	TYPE "2"	TYPE "5"
0-10 PSI	.80 PSI	1.5 PSI	300 PSI	300 PSI
0-20 PSI	.90 PSI	2.3 PSI	300 PSI	300 PSI
0-50 PSI	1.0 PSI	5.2 PSI	300 PSI	300 PSI
0-100 PSI	1.5 PSI	13 PSI	300 PSI	1500 PSI
0-250 PSI	6 PSI	27 PSI	1500 PSI	1500 PSI
0-500 PSI	8 PSI	58 PSI	1500 PSI	2500 PSI
0-750 PSI	16 PSI	77 PSI	2500 PSI	2500 PSI
0-1000 PSI	19 PSI	183 PSI	2500 PSI	5000 PSI
0-1500 PSI	60 PSI	240 PSI	5000 PSI	5000 PSI
0-3000 PSI	66 PSI	N/A	5000 PSI	N/A

*MAXIMUM DEAD BANDS MAY BE 50% GREATER

DEADBAND NOTES

The deadbands listed in the tables are the typical switch differentials when the standard (Type "2" or Type "5") electric switch is used.

Deadband is affected by the type of electric switch used. Each type of electric switch's effect on deadband is as follows:

Type "1" - *Low Deadband* - Use ½ TYPE 2 table values.

Type "2" - *Std. Deadband* - Use table values.

Type "3" - *High DC Rated* - Multiply TYPE 2 table values by two.

Type "4" - *Hermetically Sealed Switch* - Use TYPE 2 table value UL-recognized component, guide WSQ2, File E85076. All stainless steel construction.

Type "5" - *Sub Miniature* - 2 S.P.D.T. - Use TYPE 5 table values.

Type "6" - *Gold Contact* - Use TYPE 2 table values.

INSTALLATION NOTES

Orientation - The 2PSB will operate satisfactorily in any position, however, mounting the device vertically will allow the easiest adjustability and reduce sediment in the pressure chamber.

Wiring - Switches may be wired to 'normally open' or 'normally closed' terminals on electric switch(es). Single switch units have screw terminals while dual switch versions use a screw terminal block.

Pressure Connection - 1/4 NPT female is standard. 1/2 NPT male is available ("M" option).

Adjustment - Turn pressure adjustment nut(s) clockwise to increase setpoint. Detailed installation & calibration instructions are provided for every shipment. Factory setting is available at no charge.

Wiring Schematic

