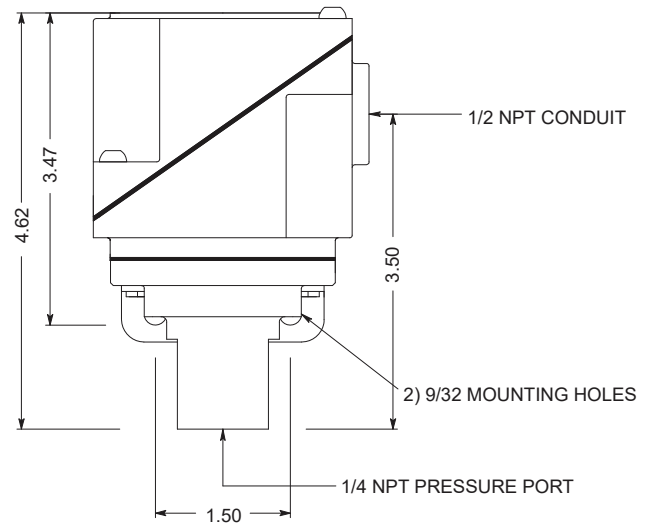
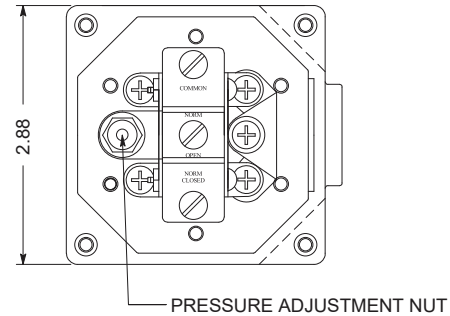
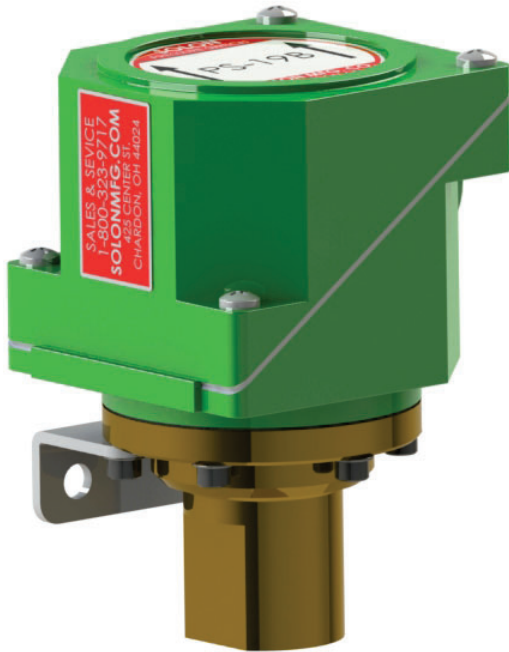




# MODEL SERIES 2PSH Heavy-Duty Pressure Switch Piston Sensing Element

- Range from 200-10000 psi
- NEMA 4X, 12 & 13 housing
- One or two SPDT contacts



## GENERAL DESCRIPTION

- Designed to withstand high-shock/high duty-cycle applications
- Die-cast aluminum housing
- Low-friction piston-sensing element
- Available with one or two SPDT electric switches that are independently adjustable
- Fixed deadband
- Optimized for salt spray testing (paint per ASTM B117 standards)

## SPECIFICATIONS

### PHYSICAL DATA (Standard)

-see page 2 for special features

**Maximum Ambient Temperature:** 180°F

**Minimum Ambient Temperature:** -40°F

**Pressure Connection:** 1/4 NPT

**Electrical Connection:** 1/2 NPT

**Housing:** Diecast Aluminum - Painted per ASTM B117

**Deadband:** Fixed

**Weight:** Approx. 1.5 lbs.

**Contact Ratings:** 15A - 125, 250, 480 VAC

**Port Material:** Brass

**Piston Material:** Carbide - 90 Rc

**Seal Material:** PTFE based material

**Set Point Adjustment:** Screw type, field adjustable

**No. Contacts:** One or Two S.P.D.T.

**Contact Listings:** UL Recognized

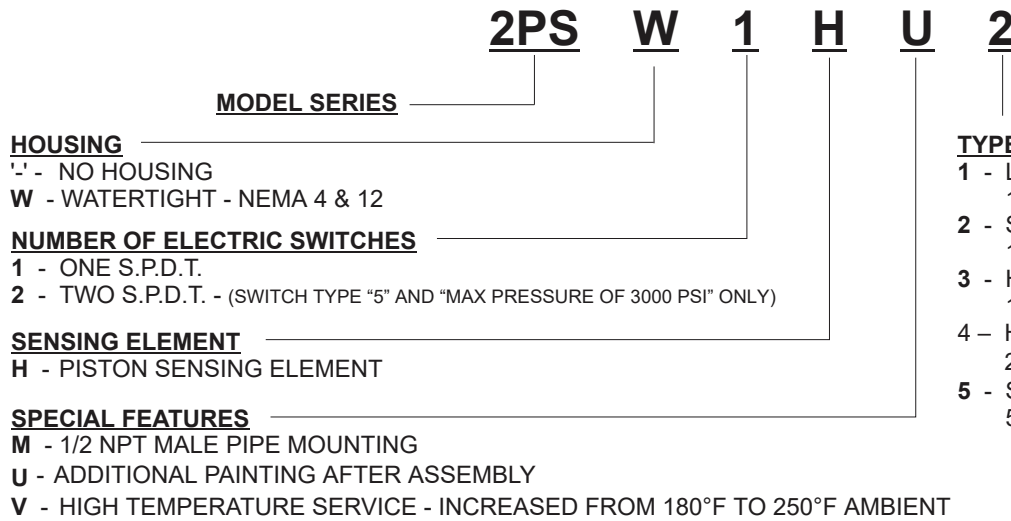
**SOLON MANUFACTURING COMPANY**

425 Center St. | Chardon, OH 44024  
440.286.7149 | 800.323.9717 | Fax 440.286.9047  
solon@solonmfg.com | www.solonmfg.com

# ORDERING A SWITCH

# MODEL SERIES 2PSH Heavy-Duty Pressure Switch Piston Sensing Element

## 1. SPECIFY A MODEL NUMBER



### TYPE OF ELECTRIC SWITCHES

- 1 - LOW DEADBAND  
15A - 125, 250, 480 VAC
- 2 - STANDARD DEADBAND  
15A - 125, 250, 480 VAC; 0.5A - 125 VDC
- 3 - HIGH DC RATED (MAGNETIC BLOWOUT)  
10A - 125 VDC; 3A - 250 VDC
- 4 - HERMETICALLY SEALED 11 AMP, 125, 250 VAC; 5A-30 VDC
- 5 - SUB MINIATURE SWITCH - 2 S.P.D.T.  
5A - 125, 250 VAC; 0.5A - 125 VDC

## 2. SPECIFY A RANGE

### 3/16" PISTON

ADJUSTABLE PRESSURE RANGE	DEADBAND RANGE TYPE "2"	MAXIMUM SYSTEM PRESSURE
20-200 PSI	20-90 PSI	5000 PSI
50-500 PSI	40-135 PSI	5000 PSI
100-1000 PSI	80-225 PSI	5000 PSI
200-2000 PSI	150-300 PSI	5000 PSI
300-3000 PSI	170-315 PSI	5000 PSI
400-4000 PSI	180-330 PSI	5000 PSI

### 1/8" PISTON

ADJUSTABLE PRESSURE RANGE	DEADBAND RANGE TYPE "2"	MAXIMUM SYSTEM PRESSURE
250-2500 PSI	200-570 PSI	10000 PSI
450-4500 PSI	400-1000 PSI	10000 PSI
700-7000 PSI	700-1250 PSI	10000 PSI

## DEADBAND NOTES

The deadbands listed in the tables are the nominal switch differentials when the standard (type "2") microswitch is used. For piston type switches the deadband is raised as the switch setpoint increases. This is why a range is given for the deadband.

Deadband is also affected by the type of microswitch used. Each type of microswitch's effect on deadband is as follows:

**Type "1" - Low Deadband** - Subtract 10 PSI from table values.

**Type "2" - Std. Deadband** - Use table values

**Type "3" - High DC Rated** - Add 20 PSI to table values.

**Type "4" - Hermetically Sealed Switch** - Use TYPE 2 table value UL-recognized component, guide WSQ2, File E85076. All stainless steel construction.

**Type "5" - Sub Miniature - 2 S.P.D.T.** - Add 30 PSI to table values.

## INSTALLATION NOTES

**Orientation** - The 2PSH will operate satisfactorily in any position, however, mounting the device vertically will allow the easiest adjustability and reduce sediment in the pressure chamber.

**Wiring** - Switches may be wired to 'normally open' or 'normally closed' terminals on microswitch(es). Single switch units have #6 screw terminals while dual switch versions employ a screw terminal block.

**Pressure Connection** - 1/4 NPT female is standard. 1/2 NPT male is available ("M" option).

**Adjustment** - Turn pressure adjustment nut(s) clockwise to increase setpoint. Detailed installation & calibration instructions are provided for every shipment. Factory setting is available at no charge.

## Wiring Schematic

