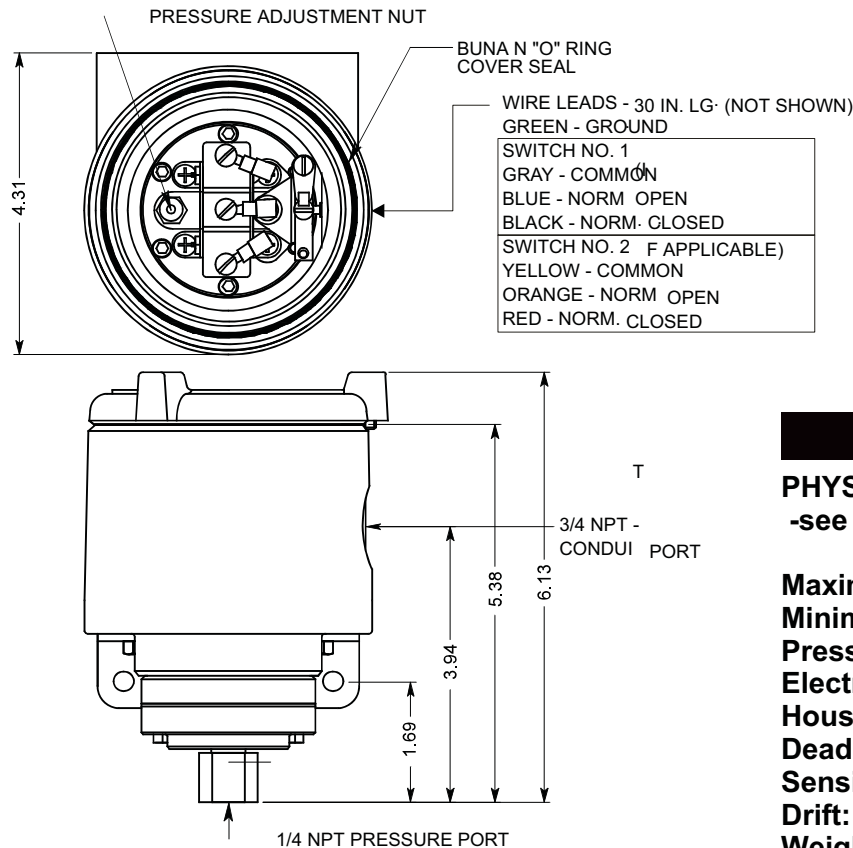




MODEL SERIES 42PSX Explosion-Proof Pressure Switch Diaphragm Sensing Element

- Ranges 5-300 psi
- NEMA 4, 7, & 9; Class I Div. 1, Gr. A, B, C, D
- One or two SPDT contacts
- Various wetted materials available
- Piston or bellows sensing elements also available



SPECIFICATIONS

PHYSICAL DATA (Standard)
-see back for special features

Maximum Ambient Temperature: 180°F

Minimum Ambient Temperature: -20°F

Pressure Connection: 1/4 NPT

Electrical Connection: 3/4 NPT

Housing: 355/356 Cast Aluminum

Deadband: Fixed

Sensitivity: 1% of range (for 1 SPDT)

Drift: <2% of range (100,000 operations)

Weight: Approx. 4 lbs.

Contact Ratings: 15A - 125, 250 VAC (1 S.P.D.T.)

OR: 5A - 125, 250 VAC (2 S.P.D.T.)

Port Material: Aluminum & Brass

Diaphragm Material: Buna N

Set Point Adjustment: Screw type, field adjustable

No. Contacts: One or Two S.P.D.T.

Contact Listings: UL Recognized, CSA Certified

42PSX FEATURES

- Explosion-proof cast-aluminum housing
- Simple & proven switching mechanism
- Pressure-sensing elements outside the flame path are designed to accommodate a wide variety of wetted materials, that are well-suited for almost any corrosive process
- The versatile design of the 42PSX series is highly configurable to accommodate different pressure-sensing element arrangements and materials



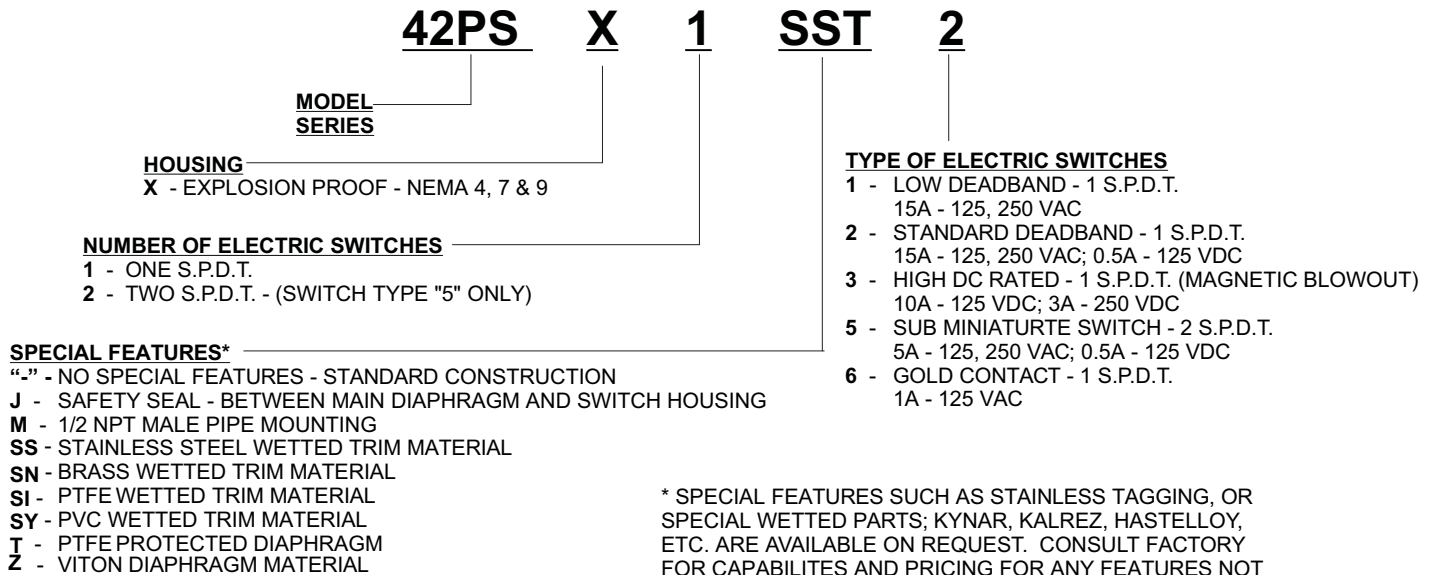
All models shown are Underwriters Laboratories, Inc. listed for use in Class I, Groups A, B, C, & D; Class II, Groups E, F, & G hazardous locations under File E65371.

SOLON MANUFACTURING COMPANY
425 Center St. | Chardon, OH 44024
440.286.7149 | 800.323.9717 | Fax 440.286.9047
solon@solonmfg.com | www.solonmfg.com

ORDERING A SWITCH

MODEL SERIES 42PSX Explosion-Proof Pressure Switch Diaphragm Sensing Element

1. SPECIFY A MODEL NUMBER



2. SPECIFY A RANGE

ADJUSTABLE PRESSURE RANGE	MAXIMUM DEADBAND		MAX. WORKING PRESSURE
	TYPE "2"	TYPE "5"	
0-5 PSI	0.5 PSI	0.7 PSI	300 PSI
0-10 PSI	0.6 PSI	1.3 PSI	300 PSI
0-20 PSI	0.7 PSI	2.3 PSI	300 PSI
0-50 PSI	2.1 PSI	7.5 PSI	600 PSI
0-100 PSI	3.0 PSI	9.8 PSI	600 PSI
0-200 PSI	3.9 PSI	17.5 PSI	600 PSI
0-300 PSI	5.0 PSI	17.5 PSI	600 PSI

DEADBAND NOTES

The deadbands listed in the tables are the maximum switch differentials when the standard (type "2" or type "5") microswitch is used.

Deadband is affected by the type of microswitch used. Each type of microswitch's effect on deadband is as follows:

Type "1" - *Low Deadband* - Use 1/2 the TYPE 2 table values.

Type "2" - *Std. Deadband* - Use table values.

Type "3" - *High DC Rated* - Multiply TYPE 2 table values by 2.

Type "5" - *Sub Miniature* - 2 S.P.D.T. - See TYPE 5 table values.

Type "6" - *Gold Contact* - Use TYPE 2 table values.

INSTALLATION NOTES

Orientation - The 42PSX will operate satisfactorily in any position, however, mounting the device vertically will allow the easiest adjustability and reduce sediment in the pressure chamber.

Wiring - Switches are provided pre-wired with 30" leads. To reduce the risk of explosion, conduit runs must have a sealing fitting connected within 18 inches of the enclosure.

Pressure Connection - 1/4 NPT female is standard. 1/2 NPT male is available ("M" option).

Adjustment - Turn pressure adjustment nut(s) clockwise to increase setpoint. Detailed installation & calibration instructions are provided for every shipment. Factory setting is available at no charge.

Wiring Schematic

