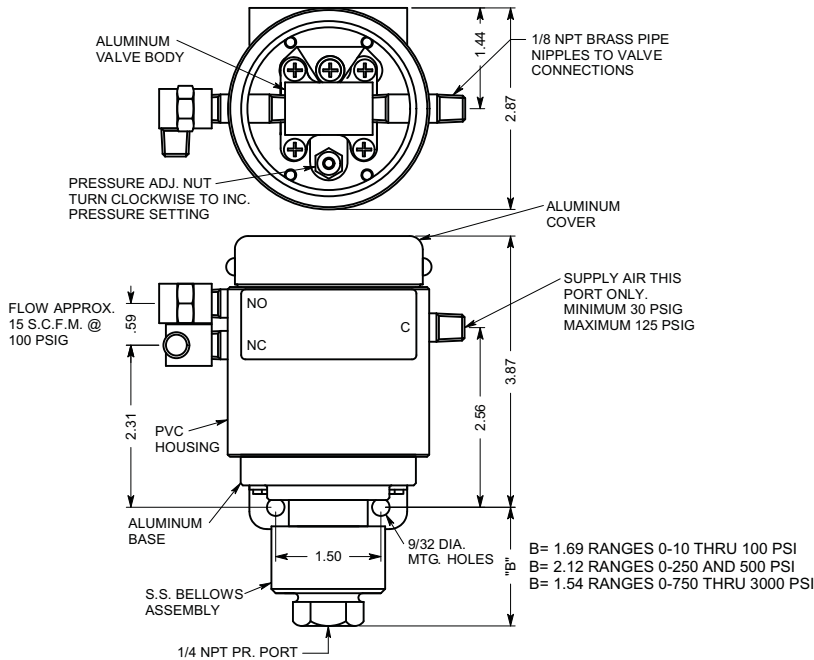




- Ranges from 10 to 3000 PSI
- Pneumatic Control Applications
- Snap Acting 3-Way Valve
- All Welded 316 Stainless Steel Bellows
- High Max. Pressure Available

MODEL SERIES 2PV-MVB Pressure Actuated Valve Bellows Sensing Element



SHOWN WITHOUT HOUSING

GENERAL DESCRIPTION

The Model Series 2PVMVB employs a three way block and bleed valve that is actuated by either an increase or decrease in pressure at the sensing element. This device can be used for a variety of applications including many corrosive applications, with the sensing element being an all welded stainless steel bellows assembly. The pneumatic valve can be operated with pilot pressures ranging from 30 PSI to 125 PSI.

OTHER PV-MV VALVES ARE AVAILABLE...

The versatile design of the PV-MV pressure actuated valves allows a wide variety of sensing element arrangements and materials to be used in their construction. Diaphragm and Piston models can be configured for Pressure, Vacuum, and Differential Pressure applications. Models with these features and with ranges from 1.5" W.C. to 7000 psi are described in separate catalog sheets.

SPECIFICATIONS

PHYSICAL DATA (Standard)

-see page 2 for special features

Maximum Ambient Temperature: 180°F

Minimum Ambient Temperature: 0°F

Pressure Connection: 1/4 NPT

Housing: PVC housing with aluminum components

Deadband: Fixed

Weight: Approx. 1.5 lbs.

Port Material: All Welded 316SS

Bellows Material: All Welded 316SS

Set Point Adjustment: Screw type, field adjustable

Valve: Model LTV-5 Three Way Block-and-Bleed

Valve Connections: 1/8 NPT

Valve Flow Capacity: 15 SCFM at 100 PSI

Valve Pilot Pressure: 30 to 125 PSIG

Solon Manufacturing Company

425 Center Street, P.O. Box 207, Chardon, Ohio 44024

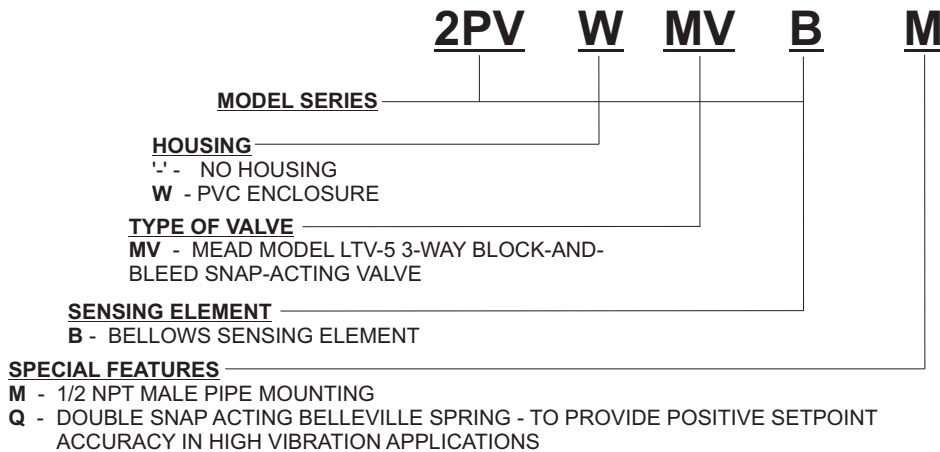
(440) 286-7149 800-323-9717 FAX (440) 286-9047

Email: solon@solonmfg.com

ORDERING A SWITCH

MODEL SERIES 2PV-MVB Pressure Actuated Valve Bellows Sensing Element

1. SPECIFY A MODEL NUMBER



2. SPECIFY A RANGE

ADJUST. PRESSURE RANGE	VALVE DEADBAND	MAXIMUM WORKING PRESSURE
0-10 PSI	.80 PSI	300 PSI
0-20 PSI	.90 PSI	300 PSI
0-50 PSI	1.0 PSI	300 PSI
0-100 PSI	1.5 PSI	300 PSI
0-250 PSI	6 PSI	1500 PSI
0-500 PSI	8 PSI	1500 PSI
0-750 PSI	16 PSI	2500 PSI
0-1000 PSI	19 PSI	2500 PSI
0-2000 PS	60 PSI	5000 PSI
0-3000 PSI	66 PSI	5000 PSI

DEADBAND NOTES

The deadbands listed in the tables are the nominal valve differentials when the valve is operated at 100 PSIG. Deadbands are decreased as pilot pressure is reduced. Contact factory for more detailed information on deadbands.

INSTALLATION NOTES

Orientation - The 2PV-MVB will operate satisfactorily in any position, however, mounting the device vertically will allow the easiest adjustability and reduce sediment in the pressure chamber.

Valve Connections - Valve port connections are 1/8 NPT and are marked C, NO, NC. Pilot pressure should be supplied at the common (C) port. Minimum 30 PSI is required to operate valve.

Pressure Connection - 1/4 NPT female is standard. 1/2 NPT male is available ("M" option).

Adjustment - Turn pressure adjustment nut(s) clockwise to increase setpoint. Installation & calibration instructions are provided. Factory setting is available at no charge.

Valve Schematic

