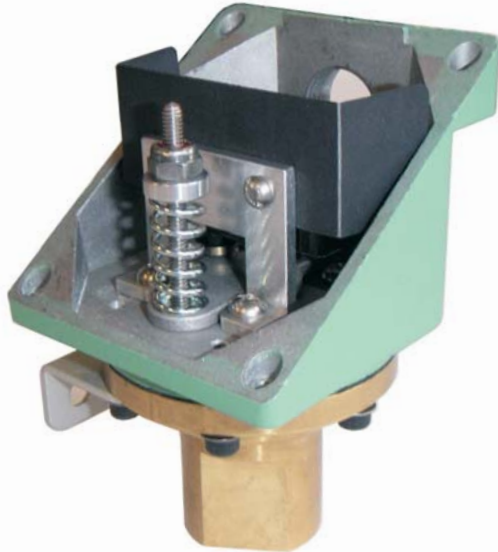




- Ranges from 200 to 10,000 PSI
- NEMA 4X, 12 & 13 Housing
- One or two SPDT Contacts
- High Cycle Life
- High Shock Applications



SHOWN WITH COVER REMOVED

GENERAL DESCRIPTION

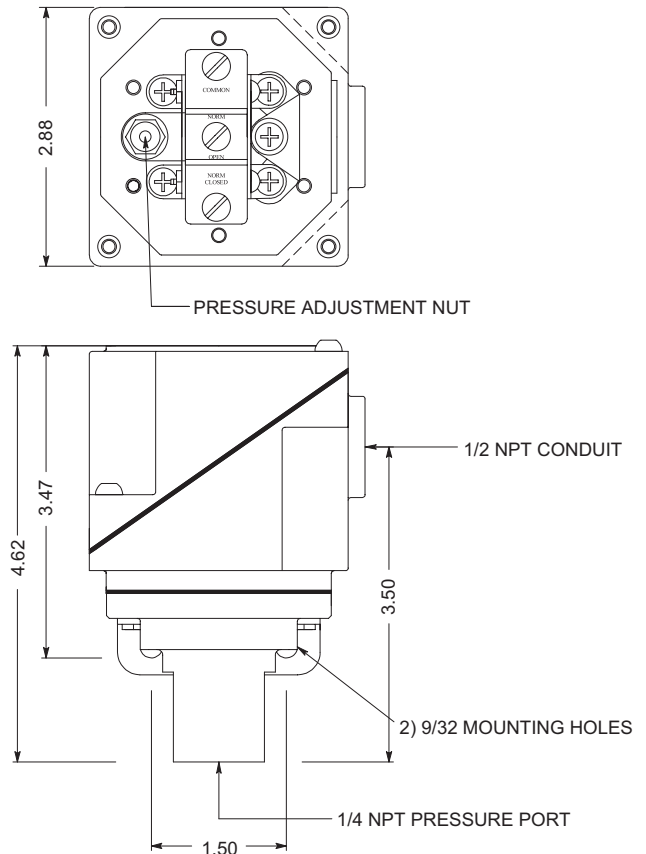
The Model Series 2PSH Pressure Switch design combines a durable piston sensing element with a reliable, time-tested switch mechanism. The result is a cost effective switch that will perform in the most demanding high pressure and shock applications. High cycle life is attainable, regardless of the amount the pressure varies through the cycle. This is because there is no work hardening of a metal sensing element, such as with a diaphragm, bellows or bourdon tube.

The piston sensing element employs a carbide piston and a spring energized PTFE seal. This low-friction combination results in a switch that is capable of extremely high pressure ratings and cycle life with minimal seal wear and very consistent performance.

APPLICATIONS

Applications include high pressure, shock, and cycles which can cause premature failure of traditional pressure controls. It is immune to explosive decompression which can cause O-rings to fail in high pressure gas applications. Specifically designed for tough applications such as of hydraulic punch presses, injection molding machines, high pressure gas systems, etc.

MODEL SERIES 2PSH Pressure Switch Piston Sensing Element



SPECIFICATIONS

PHYSICAL DATA (Standard)

-see page 2 for special features

Maximum Ambient Temperature: 180°F

Minimum Ambient Temperature: -40°F

Pressure Connection: 1/4 NPT

Electrical Connection: 1/2 NPT

Housing: Diecast Aluminum - Painted per ASTM B117

Deadband: Fixed

Weight: Approx. 1.5 lbs.

Contact Ratings: 15A - 125, 250, 480 VAC

Port Material: Brass

Piston Material: Carbide - 90 Rc

Seal Material: PTFE based material

Set Point Adjustment: Screw type, field adjustable

No. Contacts: One or Two S.P.D.T.

Contact Listings: UL Recognized, CSA Certified

Solon Manufacturing Company

425 Center Street, P.O. Box 207, Chardon, Ohio 44024

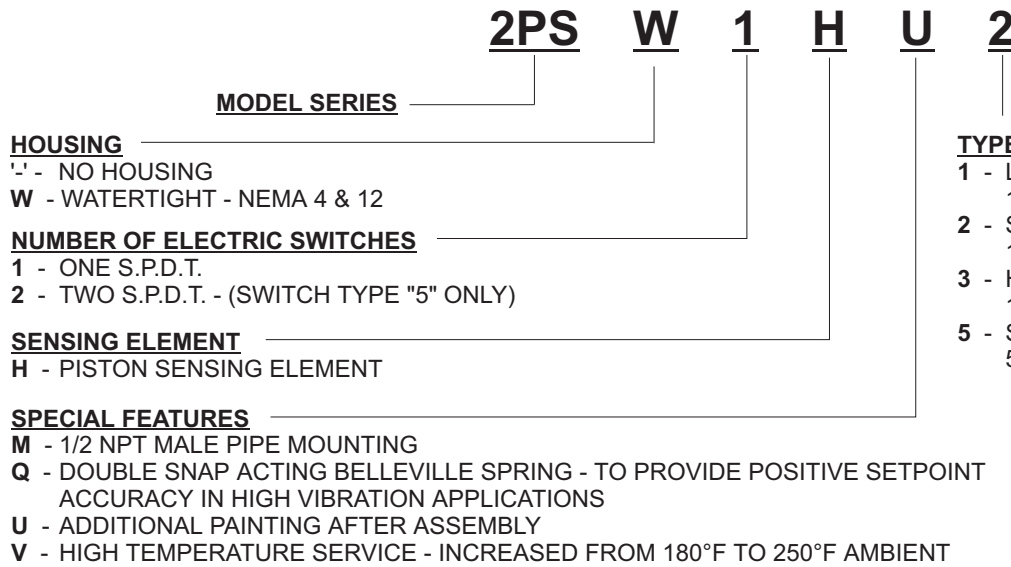
(440) 286-7149 800-323-9717 FAX (440) 286-9047

Email: solon@solonmfg.com

ORDERING A SWITCH

MODEL SERIES 2PSH Pressure Switch Piston Sensing Element

1. SPECIFY A MODEL NUMBER



TYPE OF ELECTRIC SWITCHES

- 1 - LOW DEADBAND
15A - 125, 250, 480 VAC
- 2 - STANDARD DEADBAND
15A - 125, 250, 480 VAC; 0.5A - 125 VDC
- 3 - HIGH DC RATED (MAGNETIC BLOWOUT)
10A - 125 VDC; 3A - 250 VDC
- 5 - SUB MINIATURE SWITCH - 2 S.P.D.T.
5A - 125, 250 VAC; 0.5A - 125 VDC

2. SPECIFY A RANGE

3/16" PISTON

ADJUSTABLE PRESSURE RANGE	DEADBAND RANGE TYPE "2"	MAXIMUM SYSTEM PRESSURE
20-200 PSI	20-90 PSI	5000 PSI
50-500 PSI	40-135 PSI	5000 PSI
100-1000 PSI	80-225 PSI	5000 PSI
200-2000 PSI	150-300 PSI	5000 PSI
300-3000 PSI	170-315 PSI	5000 PSI
400-4000 PSI	180-330 PSI	5000 PSI

1/8" PISTON

ADJUSTABLE PRESSURE RANGE	DEADBAND RANGE TYPE "2"	MAXIMUM SYSTEM PRESSURE
250-2500 PSI	200-570 PSI	10000 PSI
450-4500 PSI	400-1000 PSI	10000 PSI
700-7000 PSI	700-1250 PSI	10000 PSI

DEADBAND NOTES

The deadbands listed in the tables are the nominal switch differentials when the standard (type "2") microswitch is used. For piston type switches the deadband is raised as the switch setpoint increases. This is why a range is given for the deadband.

Deadband is also affected by the type of microswitch used. Each type of microswitch's effect on deadband is as follows:

Type "1" - Low Deadband - Subtract 10 PSI from table values.

Type "2" - Std. Deadband - Use table values

Type "3" - High DC Rated - Add 20 PSI to table values.

Type "5" - Sub Miniature - 2 S.P.D.T. - Add 30 PSI to table values.

INSTALLATION NOTES

Orientation - The 2PSH will operate satisfactorily in any position, however, mounting the device vertically will allow the easiest adjustability and reduce sediment in the pressure chamber.

Wiring - Switches may be wired to 'normally open' or 'normally closed' terminals on microswitch(es). Single switch units have #6 screw terminals while dual switch versions employ a screw terminal block.

Pressure Connection - 1/4 NPT female is standard. 1/2 NPT male is available ("M" option).

Adjustment - Turn pressure adjustment nut(s) clockwise to increase setpoint. Detailed installation & calibration instructions are provided for every shipment. Factory setting is available at no charge.

Wiring Schematic

