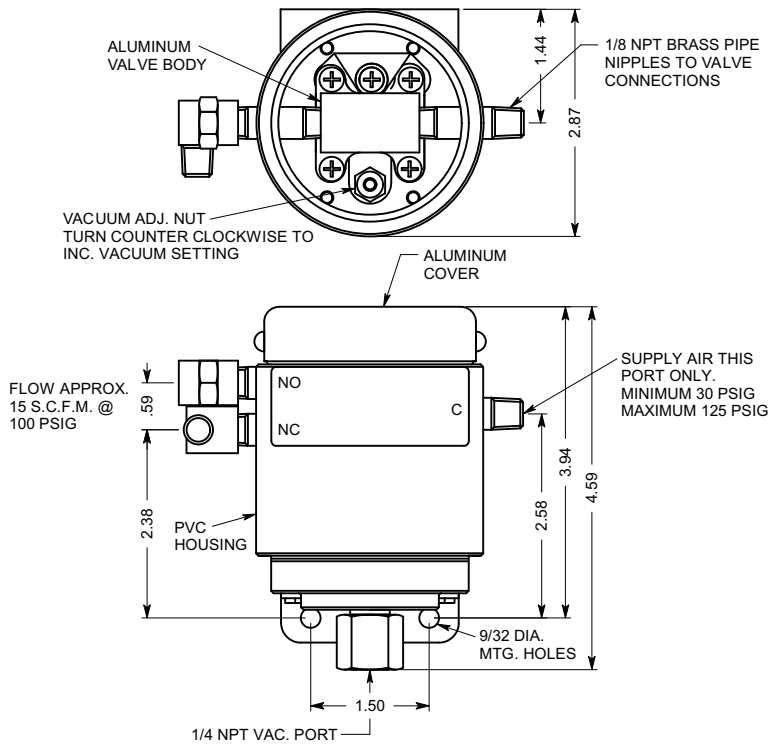




- Ranges from 5 to 30 IN/HG and -30/0/30 IN/HG
- Pneumatic Control Applications
- Snap Acting 3-Way Valve
- Various Wetted Materials Available



MODEL SERIES 2PV-MV Vacuum Actuated Valve Diaphragm Sensing Element



SHOWN WITHOUT HOUSING

SPECIFICATIONS

PHYSICAL DATA (Standard)

-see page 2 for special features

Maximum Ambient Temperature: 180°F

Minimum Ambient Temperature: 0°F

Vacuum Connection: 1/4 NPT

Housing: PVC housing

Deadband: Fixed

Weight: Approx. 1.5 lbs.

Port Material: Brass and Aluminum

Diaphragm Material: Buna N

Set Point Adjustment: Screw type, field adjustable

Valve: Model LTV-5 Three Way Block-and-Bleed

Valve Connections: 1/8 NPT

Valve Flow Capacity: 15 SCFM at 100 PSI

Valve Pilot Pressure: 30 to 125 PSIG

GENERAL DESCRIPTION

The Model Series 2PVMV employs a three way block and bleed valve that is actuated by either an increase or decrease in vacuum at the sensing element. The sensing element for this device is an elastomer diaphragm that can be used for ranges from 5 to 30 IN/HG and -30/0/30 IN/HG. Standard wetted parts are aluminum and Buna N, however, many other materials are available (See "Special Features" on page 2). The pneumatic valve can be operated with pilot pressures ranging from 30 PSI to 125 PSI.

OTHER PV-MV VALVES ARE AVAILABLE...

The versatile design of the PV-MV pressure actuated valves allows a wide variety of sensing element arrangements and materials to be used in their construction. Diaphragm, Bellows, and Piston models can be configured for Pressure, Vacuum, and Differential Pressure applications. Models with these features and with ranges from 1.5" W.C. to 7000 psi are described in separate catalog sheets.

Solon Manufacturing Company

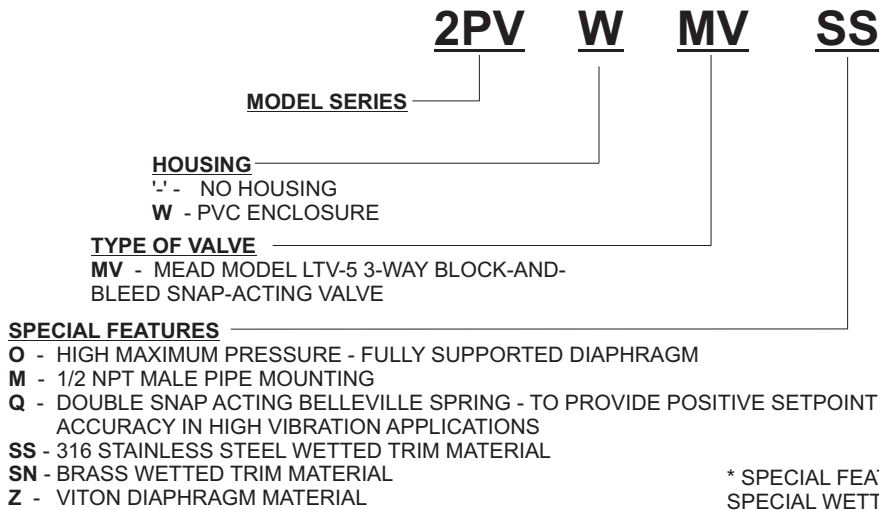
425 Center Street, P.O. Box 207, Chardon, Ohio 44024

(440) 286-7149 800-323-9717 FAX (440) 286-9047

Email: solon@solonmfg.com

ORDERING A SWITCH

1. SPECIFY A MODEL NUMBER



MODEL SERIES 2PV-MV Vacuum Actuated Valve Diaphragm Sensing Element

* SPECIAL FEATURES SUCH AS STAINLESS TAGGING, OR SPECIAL WETTED PARTS; TEFLON, PVC, KYNAR, KALREZ, HASTELLOY, ETC. ARE AVAILABLE ON REQUEST. CONSULT FACTORY FOR CAPABILITIES AND PRICING FOR ANY FEATURES NOT SHOWN.

2. SPECIFY A RANGE

ADJUSTABLE VACUUM RANGE	MAXIMUM VALVE DEADBAND	MAXIMUM WORKING PRESSURE
0-5 IN/HG	.25 PSI	20 PSI
0-15 IN/HG	.27 PSI	20 PSI
0-30 IN/HG	.34 PSI	20 PSI
-30/0/30 IN/HG	.50 PSI	20 PSI

DEADBAND NOTES

The deadbands listed in the tables are the nominal valve differentials when the valve is operated at 100 PSIG. Deadbands are decreased as pilot pressure is reduced. Contact factory for more detailed information on deadbands.

INSTALLATION NOTES

Orientation - The 2PV-MV will operate satisfactorily in any position, however, mounting the device vertically will allow the easiest adjustability and reduce sediment in the vacuum chamber.

Valve Connections - Valve port connections are 1/8 NPT and are marked C, NO, NC. Pilot pressure should be supplied at the common (C) port. Minimum 30 PSI is required to operate valve.

Pressure Connection - 1/4 NPT female is standard. 1/2 NPT male is available ("M" option).

Adjustment - Turn vacuum adjustment nut counter clockwise to increase setpoint. Detailed installation & calibration instructions are provided for every shipment. Factory setting is available at no charge.

Valve Schematic

